

河南睿企机械设备有限公司  
HENAN RICHI MACHINERY CO.,LTD



服务热线:0371-63752859 销售电话:0086-15003890639 传真:0371-63752859  
邮箱:sales@cnrichi.cn 总部基地:河南省郑州市高新技术开发区  
Tel:0086-15003890639 Fax:0086-371-63752859 Email:sales@cnrichi.cn  
Add:E-commerce Industrial Park, Zhengzhou City, Henan Province, China

中国 | 河南  
CHINA | HENAN



## 创造不凡 共享价值

CREATE EXCELLENCE  
SHARE VALUE

在这里,我们从未停止探索的脚步  
在这里,我们始终坚信创造的力量  
在这里,我们永远期待未知的惊喜

In RICHI, we never stop exploring  
In RICHI, we always firmly believe in the power of creation  
In RICHI, we always expect the unknown surprise



定制化工程服务商  
Customized  
Service Supplier

缘起于1995,睿企在饲料机械领域稳健发展,倾力在全球打造更瞩目的饲料机械成套工程服务品牌,角逐世界市场。

Since 1995, RICHI has developed steadily in the field of feed machinery, and strives to build a more complete brand of feed machinery engineering service brands in the world and compete in the world market.



完美匹配多元需求  
Perfectly Match  
Diverse Needs

睿企形成了多元、丰富的产品体系,15大系列200多种产品最大程度覆盖了各类饲料生产客户的需求。

RICHI has formed a diversified and rich product system. The 15 major series and more than 200 products cover the customers' needs of various feed production to the greatest extent.



潜身创新之道  
Devote To  
Innovation

顶级CAD,PROE工作站和CAPP工艺设计,睿企强劲的科研力量不断触摸前沿脉搏。

Top CAD, PROE workstation and CAPP process design, RICHI's strong scientific research force constantly touches the frontier pulse.



忠于至臻品质  
Comitted To  
Quality

所有交付产品均通过ISO、CE、SGS、BV等多项国际认证,睿企,以始终如一的非凡品质,续写着产品的卓越价值。

All delivered products have passed many international certifications such as ISO, CE, SGS, BV etc. RICHI continues to write the outstanding value of the products with consistent extraordinary quality.



一站式服务誉响全球  
One-Stop Service  
Reputation In Global

睿企始终探寻实现与客户价值共升的最佳路径,成功服务全球90多个国家和地区的上千家客户。

RICHI always explores the best way to achieve the same value with customers, and successfully serves thousands of customers in more than 90 countries and regions around the world.



## RICHI-SLHJ系列单轴桨叶型混合机

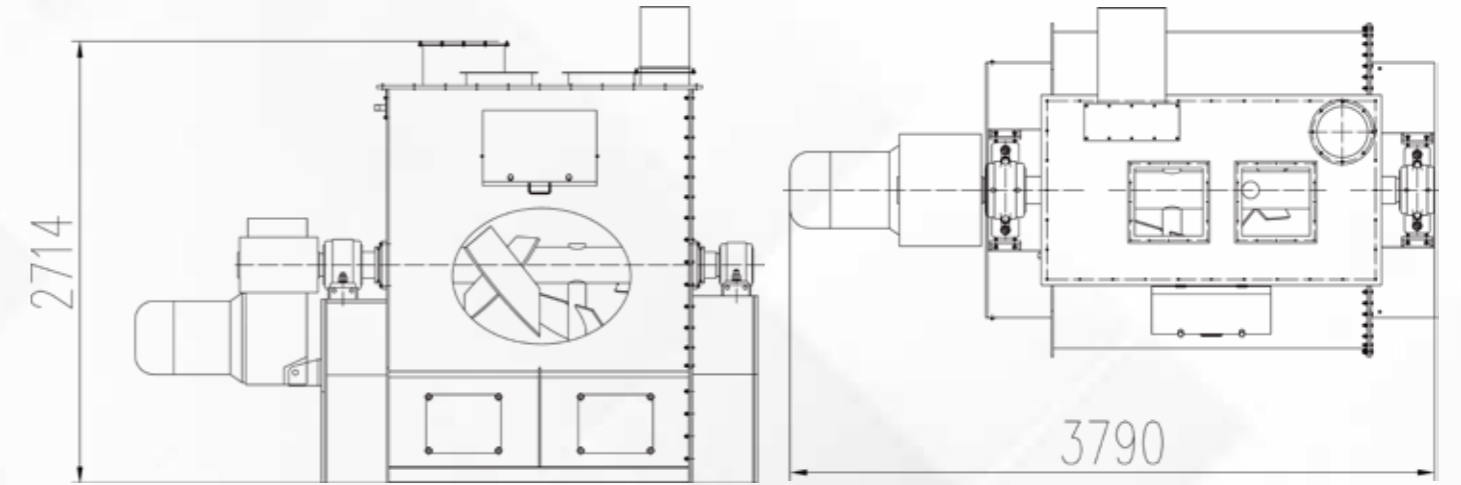
### SLHJ SERIES SINGLE SHAFT DOUBLE LAYER PADDLE MIXER

睿企机械SLHJ系列单轴桨叶型混合机适用于饲料、化工、有机肥及粘稠物料的混合。设备配置有机壳、机盖、桨叶轴、卸料机构、电机减速机、传动机构、出气口。

RICHI Machinery SLHJ series single-shaft paddle mixer is suitable for mixing feed, chemical, organic fertilizer and viscous materials. The equipment is equipped with a shell, machine cover, paddle shaft, discharge mechanism, motor reducer, transmission mechanism and air outlet.

1. 双层转子设计，混合均匀度高达97.7%，混合时间短；
2. 配备大截面回风管，减少粉尘，防止物料偏析，无残留；
3. 全开式出料门，桨叶与机壳更小间隙设计，零泄漏；
4. 出料门采用硅胶密封，轴端采用特殊设计的填料密封，确保不泄漏；
5. 超大检修门，设计合理，方便清理维修，节省时间；
6. 检修门设有行程开关，保护人身安全。

1. Double-layer rotor design, mixing uniformity up to 97.7%, short mixing time.
2. Equipped with a large-section return air pipe to reduce dust and prevent materials from segregating, no residue.
3. Full-open discharge door, with smaller clearance between paddle and body shell design, zero leakage.
4. The discharge door is sealed with silica, and the shaft end is sealed with specially designed packing seal to ensure no leakage.
5. Oversized access door, reasonable design, convenient cleaning and maintenance, saving time.
6. The inspection door is equipped with a travel switch to protect personal safety.



轴承: SKF轴承 齿轮减速机: 定制品牌 轴装式减速机, 减速机与主轴直接传动, 传动效率更高  
犁刀式桨叶结构, 残留低

Bearings: SKF bearings Gearing motor: customized brand Shaft-mounted speed reducer, the speed reducer and the main shaft directly drive, the transmission efficiency is higher  
plough blade structure, low residue;

型号 Model	电机连接 Motor Connection	材质 Material	功率 Power (kw)	每批混合量 Mixing Amount Per Batch(kg/bat)	有效容积 Effective Volume (m <sup>3</sup> )
SLHJ1A	Direct connection	Carbon steel	11	500	1
SLHJ1B	Direct connection	Stainless steel	11	500	1
SLHJ2A	Direct connection	Carbon steel	22	1000	2
SLHJ2B	Direct connection	Stainless steel	22	1000	2
SLHJ2L	Direct connection	Carbon steel	22	1000	2
SLHJ3A	Direct connection	Carbon steel	30	1500	3
SLHJ4L	Direct connection	Carbon steel	30	2000	4
SLHJ4A	Direct connection	Carbon steel	37	2000	4
SLHJ6A	Direct connection	Carbon steel	55	3000	6

